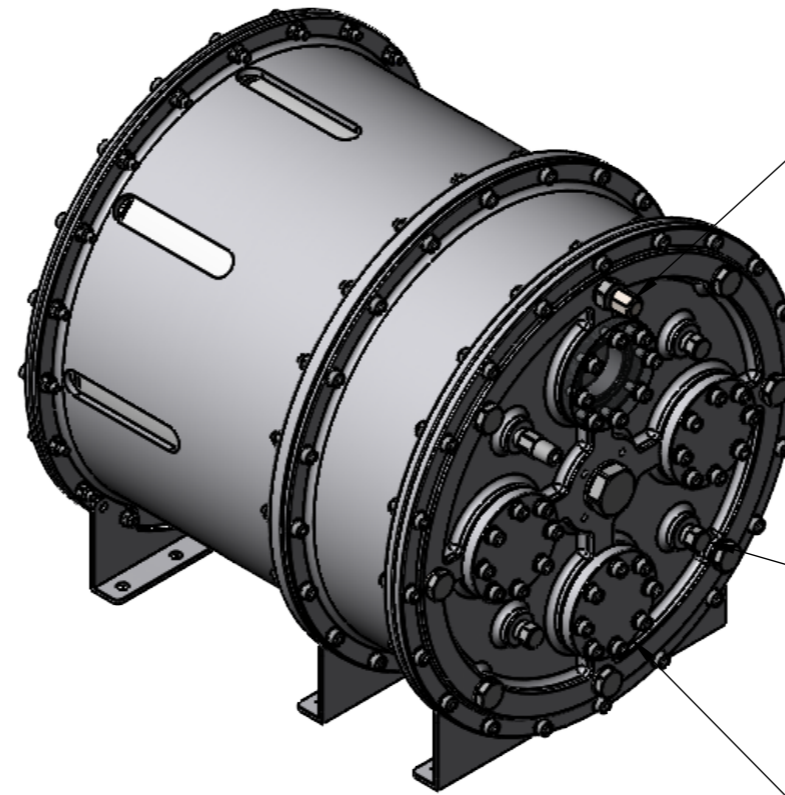
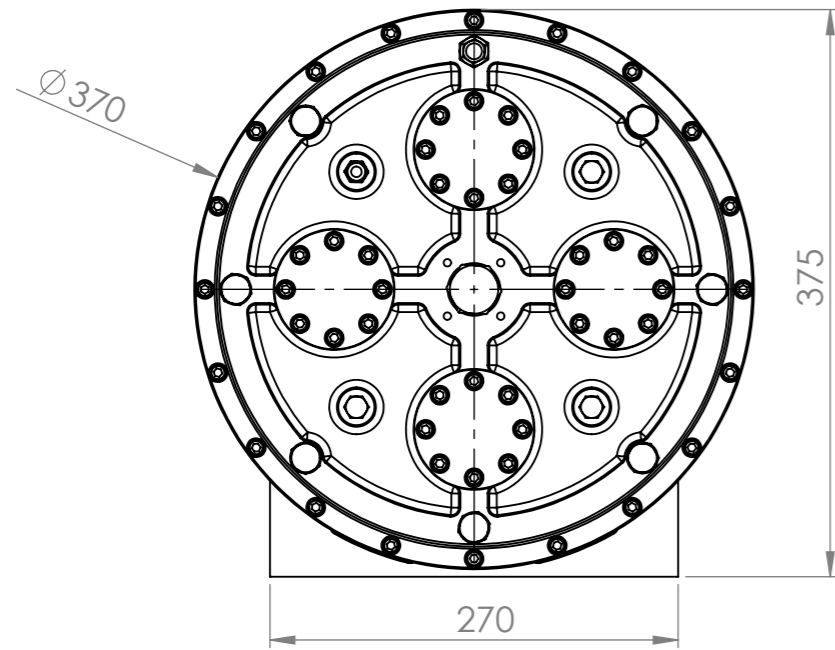


DO NOT SCALE DRAWING  
THIRD ANGLE PROJECTION

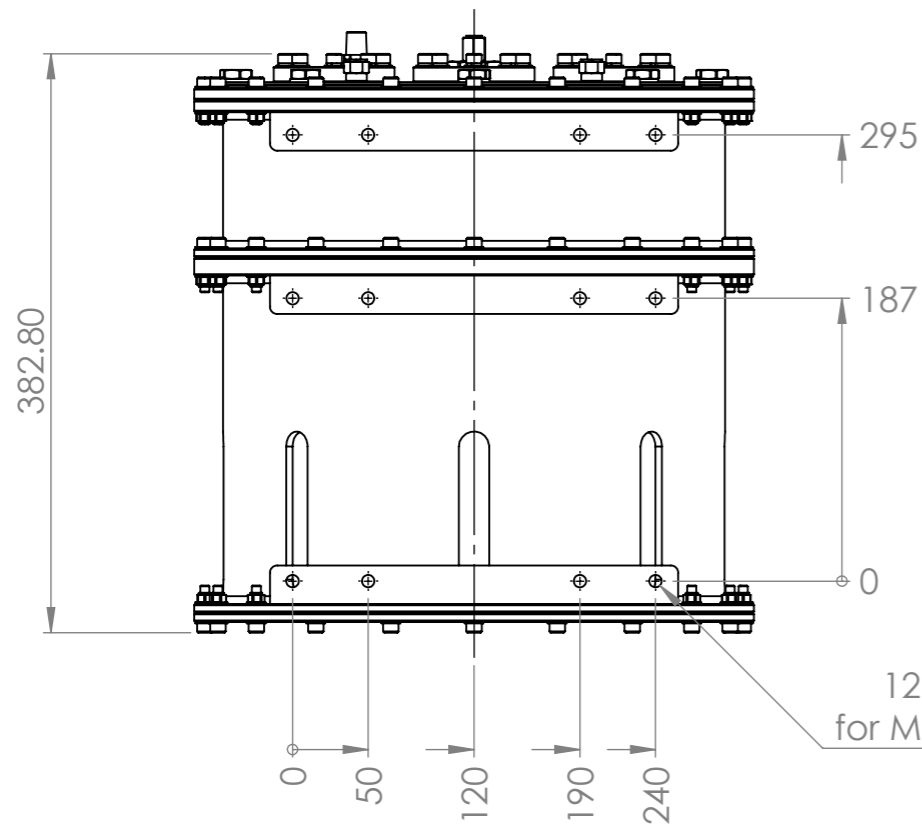


Airbleed fittings fitted to one port (-4 JIC Male & Cap)

8x Air bleed/Drain/return line connection ports (1/4" BSP).

4x 1/4" NPT Ports (1 off used for relief valve if fitted).

4x Main Ports, Options include  
 - Clear Window  
 - Blank  
 - G3/4  
 - G1  
 - 1/2" NPT  
 - 3/4" NPT  
 - SAE-6 ORB  
 - SAE-8 ORB  
 - 1" Suction Hose Barb  
 - 1.5" Suction Hose Barb



12 x  $\phi$  8.20  
for M8 fasteners

**NOTES**

Reservoir capacity: 15750cc  
 Pressure- Full: 0.25bar, Empty 0.15bar  
 Materials- Body, Anodised Aluminium. Spring, SS. Diaphragm, Nitrile Rubber.

REV	DRAWN	APPV'D	DATE	DESCRIPTION
1	DGM		18/07/24	ISSUED FOR INFORMATION

RECORD OF REVISIONS

Macduff Robotics Ltd  
 Aberdeen, Scotland.  
[www.macduff-robotics.com](http://www.macduff-robotics.com)  
[enquiries@macduff-robotics.com](mailto:enquiries@macduff-robotics.com)

MATERIAL:  
-  
FINISH:  
-  
TOLERANCE:  
+/- 0.1mm  
WEIGHT:

TITLE:  
15750cc Reservoir  
- Bracket Mount  
SHEET 1 OF 1  
DWG NO. GA0019  
SCALE: 1:5

REVISION  
1  
A3

DIMENSIONS ARE IN MILLIMETERS, UNLESS OTHERWISE SPECIFIED